



IntegraTECH

Distribution

General Industrial Supplier

ISO9001: 2008

Since 1976, IntegraTECH Distribution has provided superior-quality products and value-added services to our customers.

We are proud of our ISO9001: 2008 certified quality system, and we are committed to supplying quality products with zero defects.

As a result, we have won numerous awards, including 13 consecutive "Supplier Excellence Awards" from Alcatel Lucent and the "Quality Cup" competition sponsored by USA Today and the Rochester Institute of Technology.

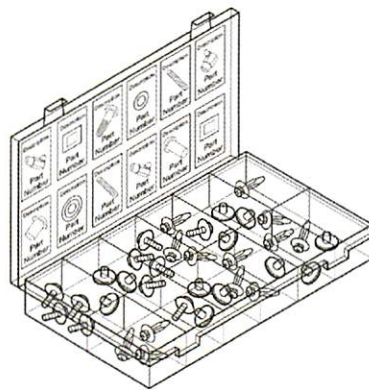
Zero Defects & On-Time Delivery

The exact product you order will be on time, every time.



Value-Added Services

Simplify ordering, track fewer line items, and reduce on-site inventory.



Cost Savings

Our customers save on their total cost of procurement.



IntegraTECH Distribution
17 Friars Drive
Hudson, NH 03051

Phone: 603-880-3760
Fax: 603-880-3789
sales@it-dist.com
www.it-dist.com

Manufacturers Products

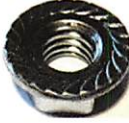
- ALCOA
- ALFA TOOLS
- AMATOM
- ASMCO
- ASSOCIATED SPRING
- BERG
- BOSSARD
- CAMBION
- CAMLOC
- CHAMPION CUTTING TOOLS
- CONCORD
- DENNISON
- DIAMOND
- ESNA
- FASTEX
- GREER
- GROOV-PIN
- HARTWELL
- HELICOIL
- HEYCO
- IDEAL
- IRR
- KEYSTONE
- LEE SPRING
- MICRO PLASTICS
- MACLEAN FOGG
- OHIO WELD NUT
- PALNUT
- PANDUIT
- PEM
- PIC
- PMP
- RAF
- REXNORD
- RICHCO
- ROTORCLIP
- SAF-T-LOK
- SAFETY
- SOCKET
- SEASTROM
- SECS
- SHAKEPROOF
- SMITH (H.H.)
- SOUTHCO
- STIMPSON
- STOCK DRIVE
- TAMPERPROOF
- TINNERMAN
- TRUARC (WALDES)
- TRW
- UNICORP
- USECO
- USM
- ZIERICK

Mil-Spec & Specials-to-Print Available

Fasteners

Metric & English

- Anchors
- Assortment Kits
- Bolts
- Clips
- Nuts
- Pins
- Retaining Rings
- Rivets
- Rods & Studs
- Screws
- Self-Clinching
- Socket Screws
- Tamper Proof
- Threadlocking
- Washers



Cutting Tools

- Band Saw Blades
- Circular Saw
- Drill bits
- Hole Saws
- Milling
- Power/Portable Saws
- Tooling
- Threading and Tapping
- Reamers



Hardware

- Braces & Brackets
- Bracket Assemblies
- Clamps & Hangers
- Catches
- Collars
- Fittings
- Grommets
- Hasps
- Hinges
- Hose Fittings
- Latches
- Shims & Shim Stock
- Springs
- Standoffs



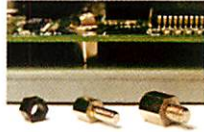
Abrasives

- Belts
- Bonded
- Brushes & Deburring
- Carbide Burrs
- Discs
- Files
- Grinding Wheels



Electronic Hardware

- Captive Panel Screws
- Circuit Board Supports
- Handles & Furrules
- Jack Screws
- Knurled Swage S/O
- Male/Female S/O
- Panel Screw Retainers
- Terminals
- Thumb Screws
- Wire Connectors
- Wire Management



Lifting & Rigging

- Beam & Cable Clamps
- Clevis Pins
- Eye Bolts & nuts
- Hardware
- Lifting Eyes



Thread Repair

- Keyserts
- Threaded Inserts
- Wire Inserts



Services

Assembly

Fully assembled products save you time and labor.



Kitting/Bagging

Our service accommodates any unique need while allowing you to submit a single-line order.



VMI

Our Vendor Managed Inventory System assures that you always have the parts when & where you need them.



Packaging

We package and label to your specifications.



IntegraTECH Distribution

17 Friars Drive
Hudson, NH 03051

Phone: 603-880-3760
Fax: 603-880-3789
sales@it-dist.com
www.it-dist.com

